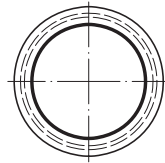
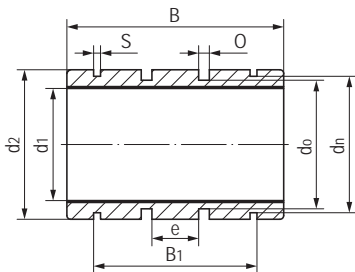


LINPB-11R-IN 封闭式精密直线轴承 Precision linear bearings, closed


- 封闭式长设计
 - 高精度与滚珠轴承相同
 - 标准滑动膜材料TEFPLAS® B
 - 阳极氧化铝合金适配器
 - 免维护、低噪音
 - 使用温度 ± 200℃
- Closed and long design
 - High precision similar to preloaded ball bearing
 - Standard liner material TEFPLAS® B
 - Anodized aluminum adapter
 - Maintenance-free and low noise
 - Operation temperature ± 200℃

标准规格 Standard specifications


产品编码 Part No.:

LINPB-11R-08-IN

- 英制 Inch size
- 内径 Inner diameter
- 封闭式保持器 Closed housing
- 长设计 Long design
- 滑动膜 Liner: TEFPLAS® B

座孔 Housing: H7 轴 Shaft: h6-h7

产品编码 Part No.	d ₁ [Inch]		d ₂ [Inch]		B [Inch]		B ₁ [Inch]	d _n [Inch]	S [Inch]	O [Inch]	d ₀ [Inch]	e [Inch]
	Min.	Max.	Min.	Max.	Min.	Max.						
LINPB-11R-06-IN	0.3752	0.3761	0.6240	0.6250	0.8600	0.8750	0.562	0.587	0.041	0.080	0.524	0.187
LINPB-11R-08-IN	0.5002	0.5013	0.8740	0.8750	1.2350	1.2500	0.875	0.820	0.048	0.125	0.712	0.250
LINPB-11R-10-IN	0.6252	0.6263	1.1240	1.1250	1.4850	1.5000	1.000	1.060	0.058	0.125	0.962	0.312
LINPB-11R-12-IN	0.7503	0.7516	1.2490	1.2500	1.6100	1.6250	1.062	1.177	0.058	0.125	1.087	0.312
LINPB-11R-16-IN	1.0003	1.0016	1.5613	1.5625	2.2350	2.2500	1.625	1.471	0.070	0.125	1.399	0.500
LINPB-11R-20-IN	1.2504	1.2519	1.9988	2.0000	2.6100	2.6250	1.875	1.889	0.070	0.125	1.837	0.625
LINPB-11R-24-IN	1.5004	1.5019	2.3738	2.3750	2.9850	3.0000	2.250	2.241	0.089	0.162	2.152	0.750
LINPB-11R-32-IN	2.0004	2.0022	2.9986	3.0000	3.9850	4.0000	3.000	2.839	0.105	0.189	2.775	1.000
LINPB-11R-40-IN	2.5004	2.5022	3.7484	3.7500	4.9850	5.0000	3.750	3.553	0.123	0.250	3.408	1.250

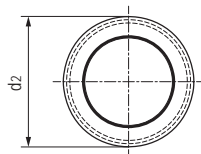
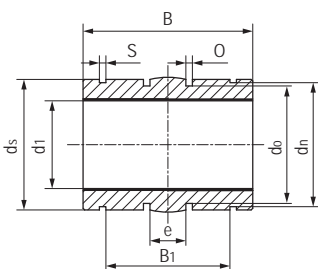
产品编码 Part No.	轴径 Shaft [Inch]	座孔 Housing [Inch]	F max. [N]		重量 Weight [g]
			最大动载荷 Dynamic Load	最大静载荷 Static Load	
LINPB-11R-06-IN	3/8	0.6250	2082	4164	7.3
LINPB-11R-08-IN	1/2	0.8750	3985	7971	18.6
LINPB-11R-10-IN	5/8	1.1250	5990	11980	41.3
LINPB-11R-12-IN	3/4	1.2500	7793	15587	49.4
LINPB-11R-16-IN	1	1.5625	14424	28847	103.4
LINPB-11R-20-IN	1-1/4	2.0000	21055	42110	208.2
LINPB-11R-24-IN	1-1/2	2.3750	28895	57789	328.9
LINPB-11R-32-IN	2	3.0000	51430	102859	654.1
LINPB-11R-40-IN	2-1/2	3.7500	80416	160832	1277.3

LINPB-11RS-IN 封闭式精密直线轴承 Precision linear bearings, closed



- 封闭式自动调心设计
- 高精度与滚珠轴承相同
- 标准滑动膜材料TEFPLAS[®] B
- 阳极氧化铝合金适配器
- 免维护、低噪音
- 使用温度 ± 200 °C
- Closed and self-aligning design
- High precision similar to preloaded ball bearing
- Standard liner material TEFPLAS[®] B
- Anodized aluminum adapter
- Maintenance-free and low noise
- Operation temperature ± 200 °C

标准规格 Standard specifications



产品编码 Part No.:

LINPB-11RS-08-IN

- 英制 Inch size
- 内径 Inner diameter
- 自调整保持器 Automatic alignment aluminum adapter
- 长设计 Long design
- 滑动膜 Liner: TEFPLAS[®] B

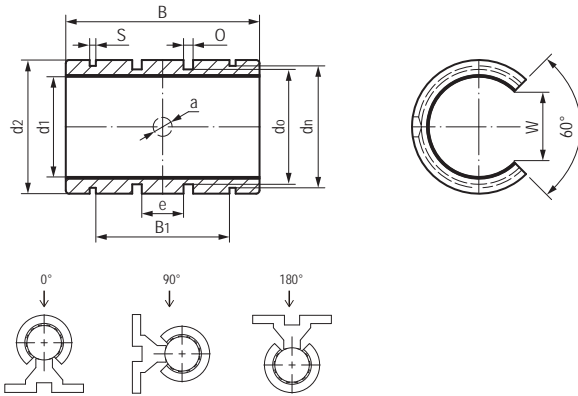
座孔 Housing: H7 轴 Shaft: h6-h7

产品编码 Part No.	d ₁ [Inch]		d ₂ [Inch]		B [Inch]		d ₂ [Inch]		B ₁ [Inch]	d _n [Inch]	S [Inch]	O [Inch]	d _o [Inch]	e [Inch]
	Min.	Max.	Min.	Max.	Min.	Max.	Min.	Max.						
LINPB-11RS-04-IN	0.2502	0.0511	0.4990	0.5000	0.7350	0.7500	0.4975	0.4985	0.437	0.467	0.041	0.080	0.399	0.125
LINPB-11RS-06-IN	0.3752	0.3761	0.6240	0.6250	0.8600	0.8750	0.6225	0.6235	0.562	0.587	0.041	0.080	0.524	0.187
LINPB-11RS-08-IN	0.5002	0.5013	0.8740	0.8750	1.2350	1.2500	0.8725	0.8735	0.875	0.820	0.048	0.125	0.712	0.250
LINPB-11RS-10-IN	0.6252	0.6263	1.1240	1.1250	1.4850	1.5000	1.1225	1.1350	1.000	1.060	0.058	0.125	0.962	0.312
LINPB-11RS-12-IN	0.7503	0.7516	1.2490	1.2500	1.6100	1.6250	1.2475	1.2485	1.062	1.177	0.058	0.125	1.087	0.312
LINPB-11RS-16-IN	1.0003	1.0016	1.5613	1.5625	2.2350	2.2500	1.5599	1.5609	1.625	1.471	0.070	0.125	1.399	0.500
LINPB-11RS-20-IN	1.2504	1.2519	1.9988	2.0000	2.6100	2.6250	1.9974	1.9984	1.875	1.889	0.070	0.125	1.837	0.625
LINPB-11RS-24-IN	1.5004	1.5019	2.3738	2.3750	2.9850	3.0000	2.3724	2.3734	2.250	2.241	0.089	0.162	2.152	0.750

产品编码 Part No.	轴径 Shaft [Inch]	座孔 Housing [Inch]	F max. [N] 最大动载荷 Dynamic Load	F max. [N] 最大静载荷 Static Load	重量 Weight [g]
LINPB-11RS-04-IN	1/4	0.5000	1210	2420	4.3
LINPB-11RS-06-IN	3/8	0.6250	2082	4164	7.3
LINPB-11RS-08-IN	1/2	0.8750	3985	7971	18.6
LINPB-11RS-10-IN	5/8	1.1250	5990	11980	41.3
LINPB-11RS-12-IN	3/4	1.2500	7793	15587	49.4
LINPB-11RS-16-IN	1	1.5625	14424	28847	103.4
LINPB-11RS-20-IN	1-1/4	2.0000	21055	42110	208.2
LINPB-11RS-24-IN	1-1/2	2.3750	28895	57789	328.9

LINPB-11RK-IN 开口式精密直线轴承 Precision linear bearings, open


- 开口设计，配合支撑轴
 - 高精度与滚珠轴承相同
 - 标准滑动膜材料TEFPLAS® B
 - 阳极氧化铝合金适配器
 - 免维护、低噪音
 - 使用温度 ± 200℃
- Open design for supported shafts
 - High precision similar to preloaded ball bearing
 - Standard liner material TEFPLAS® B
 - Anodized aluminum adapter
 - Maintenance-free and low noise
 - Operation temperature ± 200℃

标准规格 Standard specifications


产品编码 Part No.:

LINPB-11RK-08-IN

- 英制 Inch size
- 内径 Inner diameter
- 开口式保持器 Open, aluminum adapter
- 长设计 Long design
- 滑动膜 Liner: TEFPLAS® B

座孔 Housing: H7 轴 Shaft: h6-h7

产品编码 Part No.	d ₁ [Inch]		d ₂ [Inch]		B [Inch]		B ₁ [Inch]	d _n [Inch]	S [Inch]	O [Inch]	d ₀ [Inch]	a [Inch]	e [Inch]	W [Inch]
	Min.	Max.	Min.	Max.	Min.	Max.								
LINPB-11RK-06-IN	0.3752	0.3761	0.6240	0.6250	0.8600	0.8750	0.562	0.587	0.041	0.080	0.524	0.094	0.187	0.250
LINPB-11RK-08-IN	0.5002	0.5013	0.8740	0.8750	1.2350	1.2500	0.875	0.820	0.048	0.125	0.712	0.136	0.250	0.313
LINPB-11RK-10-IN	0.6252	0.6263	1.1240	1.1250	1.4850	1.5000	1.000	1.060	0.058	0.125	0.962	0.136	0.312	0.375
LINPB-11RK-12-IN	0.7503	0.7516	1.2490	1.2500	1.6100	1.6250	1.062	1.177	0.058	0.125	1.087	0.136	0.312	0.438
LINPB-11RK-16-IN	1.0003	1.0016	1.5613	1.5625	2.2350	2.2500	1.625	1.471	0.070	0.125	1.399	0.136	0.500	0.563
LINPB-11RK-20-IN	1.2504	1.2519	1.9988	2.0000	2.6100	2.6250	1.875	1.889	0.070	0.125	1.837	0.201	0.625	0.625
LINPB-11RK-24-IN	1.5004	1.5019	2.3738	2.3750	2.9850	3.0000	2.250	2.241	0.089	0.162	2.152	0.201	0.750	0.750
LINPB-11RK-32-IN	2.0004	2.0022	2.9986	3.0000	3.9850	4.0000	3.000	2.839	0.105	0.189	2.775	0.265	1.000	1.000
LINPB-11RK-40-IN	2.5004	2.5022	3.7484	3.7500	4.9850	5.0000	3.750	3.553	0.123	0.250	3.408	0.265	1.250	1.250

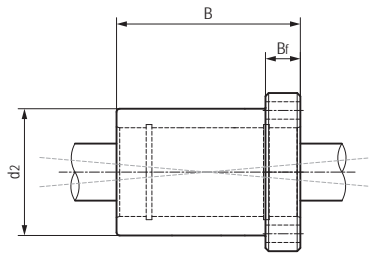
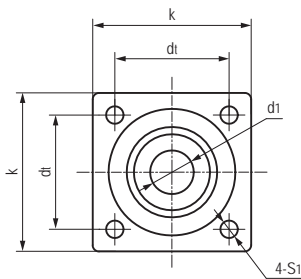
产品编码 Part No.	轴径 Shaft [Inch]	座孔 Housing [Inch]	F max. [N] 最大动载荷 Dynamic Load			F max. [N] 最大静载荷 Static Load			重量 Weight [g]
			0°	90°	180°	0°	90°	180°	
			LINPB-11RK-06-IN	3/8	0.6250	1044	1944	2082	
LINPB-11RK-08-IN	1/2	0.8750	1995	3724	3985	3990	7447	7971	15.4
LINPB-11RK-10-IN	5/8	1.1250	2995	5594	5990	5990	11187	11980	32.7
LINPB-11RK-12-IN	3/4	1.2500	3901	7275	7793	7803	14550	15587	41.3
LINPB-11RK-16-IN	1	1.5625	7221	13466	14424	14442	26931	28847	83.5
LINPB-11RK-20-IN	1-1/4	2.0000	10541	19663	21055	21081	39326	42110	172.8
LINPB-11RK-24-IN	1-1/2	2.3750	14451	26976	28895	28902	53953	57789	273.5
LINPB-11RK-32-IN	2	3.0000	25730	48008	51430	51460	96016	102859	540.7
LINPB-11RK-40-IN	2-1/2	3.7500	38315	71514	80416	76630	143029	160832	1058.7

LINPB-11RT-IN 方法兰直线轴承 Angular flange linear bearings



- 封闭式方法兰设计
- 高精度与滚珠轴承相同
- 标准滑动膜材料TEFPLAS® B
- 自调心铝合金座孔
- 螺栓固定
- 免维护、低噪音
- 使用温度 ± 200℃
- Closed design with square flange
- High precision similar to preloaded ball bearing
- Standard liner material TEFPLAS® B
- Self-aligning aluminum housing
- Secured by bolts
- Maintenance-free and low noise
- Operation temperature ± 200℃

标准规格 Standard specifications



产品编码 Part No.:

LINPB-11RT-10-IN

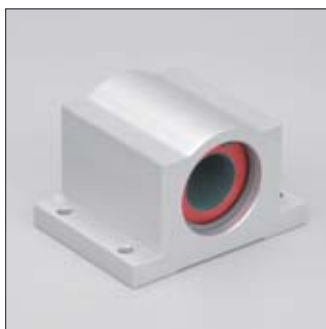
- 英制 Inch size
- 内径 Inner diameter
- 方法兰保持器
Angular flange aluminum adapter
- 长设计 Long design
- 滑动膜 Liner: TEFPLAS® B

座孔 Housing: H7 轴 Shaft: h6-h7

产品编码 Part No.	d ₁ [Inch]		d ₂ [Inch]	B [Inch]	B _r [Inch]	d _i [Inch]	k [Inch]	S ₁ [Inch]
	Min.	Max.						
LINPB-11RT-06-IN	0.3752	0.3761	0.875	1.310	0.188	1.000	1.250	0.125
LINPB-11RT-08-IN	0.5002	0.5013	1.250	1.687	0.250	1.250	1.630	0.187
LINPB-11RT-12-IN	0.7503	0.7516	1.750	2.067	0.375	1.750	2.380	0.219
LINPB-11RT-16-IN	1.0003	1.0016	2.250	2.812	0.500	2.125	2.750	0.281
LINPB-11RT-20-IN	1.2504	1.2519	2.620	3.625	0.625	3.000	3.880	3.625

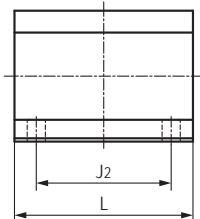
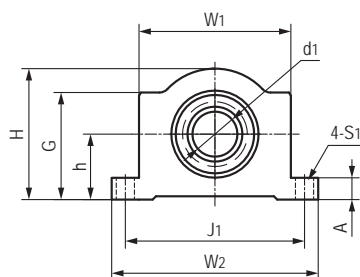
产品编码 Part No.	内装轴承 Bearing	轴径 Shaft [Inch]	座孔 Housing [Inch]	F max. [N] 最大动载荷 Dynamic Load	F max. [N] 最大静载荷 Static Load	重量 Weight [g]
LINPB-11RT-06-IN	LINPB-11R-06-IN	3/8	0.3750	2082	4164	31.8
LINPB-11RT-08-IN	LINPB-11R-08-IN	1/2	0.5000	3985	7971	79.4
LINPB-11RT-12-IN	LINPB-11R-12-IN	3/4	0.6250	7793	15587	210.0
LINPB-11RT-16-IN	LINPB-11R-16-IN	1	0.8750	14424	28847	547.0
LINPB-11RT-20-IN	LINPB-11R-20-IN	1-1/4	1.1250	21055	42110	830.1

LINPB-11G-IN 直线轴承座 Pillow blocks



- 封闭式带轴承座设计
 - 高精度与滚珠轴承相同
 - 标准滑动膜材料TEFPLAS[®] B
 - 自调心铝合金座孔
 - 螺栓固定
 - 免维护、低噪音
 - 使用温度 ± 200℃
- Closed design with housing
 - High precision similar to preloaded ball bearing
 - Standard liner material TEFPLAS[®] B
 - Self-aligning aluminum housing
 - Secured by bolts
 - Maintenance-free and low noise
 - Operation temperature ± 200℃

标准规格 Standard specifications



产品编码 Part No.:

LINPB-11G-16-IN

- 英制 Inch size
- 轴承内径 Inner diameter
- 标准设计直线轴承座 Pillow block, standard design
- 长设计 Long design
- 滑动膜 Liner: TEFPLAS[®] B

轴 Shaft: h6-h7

产品编码 Part No.	d ₁ [Inch]		h [Inch]	W ₁ [Inch]	W ₂ [Inch]	J ₁ [Inch]	J ₂ [Inch]	L [Inch]	H [Inch]	G [Inch]	S ₁ [Inch]
	Min.	Max.									
LINPB-11G-04-IN	0.2502	0.2511	0.4370	1.0000	1.6250	1.312	0.750	1.19	1.000	0.750	5/32
LINPB-11G-06-IN	0.3752	0.3761	0.5000	1.1250	1.7500	1.437	0.875	1.31	1.125	0.875	5/32
LINPB-11G-08-IN	0.5002	0.5013	0.6870	1.3750	2.0000	1.688	1.000	1.69	1.375	1.125	5/32
LINPB-11G-10-IN	0.6252	0.6263	0.8750	1.7500	2.7500	2.125	1.125	1.94	1.750	1.438	3/16
LINPB-11G-12-IN	0.7503	0.7516	0.9370	1.8750	3.2500	2.375	1.250	2.06	1.875	1.563	3/16
LINPB-11G-16-IN	1.0003	1.0016	1.1870	2.3750	4.0000	2.875	1.750	2.81	2.375	1.938	7/32
LINPB-11G-20-IN	1.2504	1.2519	1.5000	3.0000	4.7500	3.500	2.500	3.63	3.000	2.500	7/32
LINPB-11G-24-IN	1.5004	1.5019	1.7500	3.5000	6.0000	4.125	3.250	4.00	3.500	2.875	9/32

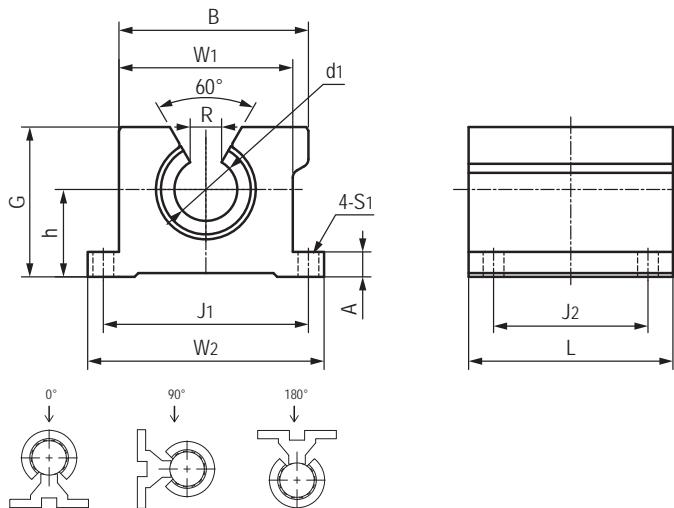
产品编码 Part No.	内装轴承 Bearing	轴径 Shaft [Inch]	F max. [N] 最大动载荷 Dynamic Load	F max. [N] 最大静载荷 Static Load	重量 Weight [g]
LINPB-11G-04-IN	LINPB-11R-04-IN	1/4	1186	2373	44.9
LINPB-11G-06-IN	LINPB-11R-06-IN	3/8	2082	4164	58.5
LINPB-11G-08-IN	LINPB-11R-08-IN	1/2	3985	7971	113.4
LINPB-11G-10-IN	LINPB-11R-10-IN	5/8	5990	11980	226.8
LINPB-11G-12-IN	LINPB-11R-12-IN	3/4	7793	15587	263.1
LINPB-11G-16-IN	LINPB-11R-16-IN	1	14424	28847	453.6
LINPB-11G-20-IN	LINPB-11R-20-IN	1-1/4	21055	42110	907.2
LINPB-11G-24-IN	LINPB-11R-24-IN	1-1/2	28895	57789	1360.8

LINPB-11GK-IN 开口直线轴承座 Open pillow blocks



- 开口型轴承座设计
 - 高精度与滚珠轴承相同
 - 标准滑动膜材料TEFPLAS® B
 - 自调心铝合金座孔
 - 螺栓固定
 - 免维护、低噪音
 - 使用温度 ± 200℃
- Open housing design
 - High precision similar to preloaded ball bearing
 - Standard liner material TEFPLAS® B
 - Self-aligning aluminum housing
 - Secured by bolts
 - Maintenance-free and low noise
 - Operation temperature ± 200℃

标准规格 Standard specifications



产品编码 Part No.:

LINPB-11GK-16-IN

英制 Inch size

轴承内径 Inner diameter

开口设计直线轴承座

Pillow block, open design

长设计 Long design

滑动膜 Liner: TEFPLAS® B

轴 Shaft: h6-h7

产品编码 Part No.	d ₁ [Inch]		h [Inch]	W ₁ [Inch]	W ₂ [Inch]	J ₁ [Inch]	J ₂ [Inch]	L [Inch]	G [Inch]	B [Inch]	R [Inch]	S ₁ [Inch]
	Min.	Max.										
LINPB-11GK-08-IN	0.5002	0.5013	0.687	1.375	2.000	1.688	1.000	1.500	1.125	1.438	0.313	5/32
LINPB-11GK-10-IN	0.6252	0.6263	0.875	1.750	2.500	2.125	1.125	1.750	1.438	1.750	0.375	3/16
LINPB-11GK-12-IN	0.7503	0.7516	0.937	1.875	2.500	2.375	1.250	1.880	1.563	1.938	0.438	3/16
LINPB-11GK-16-IN	1.0003	1.0016	1.187	2.385	3.250	2.875	1.750	2.630	1.938	2.438	0.563	7/32
LINPB-11GK-20-IN	1.2504	1.2519	1.500	3.000	4.000	3.5	2.000	3.380	2.500	3.125	0.625	7/32
LINPB-11GK-24-IN	1.5004	1.5019	1.750	3.500	4.750	4.125	2.500	3.750	2.875	3.625	0.750	9/32

产品编码 Part No.	内装轴承 Bearing	轴径 Shaft [Inch]	F max. [N] 最大动载荷 Dynamic Load			F max. [N] 最大静载荷 Static Load			重量 Weight [g]
			0°	90°	180°	0°	90°	180°	
			LINPB-11GK-08-IN	LINPB-11RK-08-IN	1/2	1995	3724	3985	
LINPB-11GK-10-IN	LINPB-11RK-10-IN	5/8	2995	5594	5990	5990	11187	11980	226.8
LINPB-11GK-12-IN	LINPB-11RK-12-IN	3/4	3901	7275	7793	7803	14550	15587	263.1
LINPB-11GK-16-IN	LINPB-11RK-16-IN	1	7221	13466	14424	14442	26931	28847	453.6
LINPB-11GK-20-IN	LINPB-11RK-20-IN	1-1/4	10541	19663	21055	21081	39326	42110	907.2
LINPB-11GK-24-IN	LINPB-11RK-24-IN	1-1/2	14451	26976	28895	28902	53953	57789	1360.8